

# SOLID FUEL HEATING QUESTIONNAIRE

Insurance Company \_\_\_\_\_

Policy/Binder Number \_\_\_\_\_

## 1. APPLICANT'S FULL NAME AND POSTAL ADDRESS

 \_\_\_\_\_  
 \_\_\_\_\_  
 \_\_\_\_\_

\_\_\_\_\_ Postal Code \_\_\_\_\_

Contact Number(s)

Type \_\_\_\_\_ No. \_\_\_\_\_ Type \_\_\_\_\_ No. \_\_\_\_\_

Type \_\_\_\_\_ No. \_\_\_\_\_ Type \_\_\_\_\_ No. \_\_\_\_\_

Preferred Document Language English French

Email Address \_\_\_\_\_

Website Address \_\_\_\_\_

## 2. BROKERAGE/AGENCY INFORMATION

 \_\_\_\_\_  
 \_\_\_\_\_  
 \_\_\_\_\_

\_\_\_\_\_ Postal Code \_\_\_\_\_

Broker Code \_\_\_\_\_ Contact Name \_\_\_\_\_

Phone No. \_\_\_\_\_ Fax No. \_\_\_\_\_

Contract Number \_\_\_\_\_ Sub-Contract Number \_\_\_\_\_

Group/Program Name \_\_\_\_\_ Group ID \_\_\_\_\_

Broker Client ID \_\_\_\_\_ Company Client ID \_\_\_\_\_

## 3. HEATING UNIT

Primary Auxiliary Year Make \_\_\_\_\_ Model \_\_\_\_\_ Certified? Yes No

Unit approved for mobile home? Yes No Photo Required? Yes No Certification Label CSA ULC OTL WH \_\_\_\_\_

HEATING UNIT TYPE		Fuel	
Acorn Stove Box, Franklin or Pot Belly Stove (Loose Fitting or No Doors)	Wood/Oil Combination	No. of Hours Used Per Day	
Cookstove	Wood Furnace	No. of Days Used Per Year	
Fireplace Insert	Wood Furnace Add On	If Not Wood, Amount Burned Annually (KG)	
Fireplace, Zero Clearance	Woodstove, Airtight	If Wood, No. of Cords Burned Annually	
Masonry Fireplace	Woodstove, Not Airtight	Face Cord (16"x4"x8')	
Pellet Stove		Standard Bush Cord (4"x4"x8')	

## 4. UNIT INSTALLATION

Risk Address \_\_\_\_\_ Where is heating unit located? \_\_\_\_\_

Installed by \_\_\_\_\_ Is the installer WETT Certified? Yes No WETT # \_\_\_\_\_

## 5. CHIMNEY

MASONRY CHIMNEY		METAL CHIMNEY	
Type		Type	Labeled
Masonry		Factory built double walled metal chimney	Canadian standards association
Concrete		Other	Warnock-Hersey Prof. Service LTD.
Other		Year	Underwriter's Laboratories of Canada
<b>Construction</b>		Manufacturer	S629
Built From Ground?	Yes No	Installed By	Other
Built From Foundation?	Yes No	WETT Certified?	Yes No

## 5. CHIMNEY (CONT.)

<b>Chimney Lining</b>		WETT #	Clearance to nearest combustibles	
Flue Tile		Is chimney rated for a continuous flue gas temperature of 650C / 1200F?    Yes    No	inches	
Stainless Steel			centimetres	
Other				
<b>LOSS PREVENTION AND INSTALLATION FOR ALL CHIMNEY TYPES</b>				
<b>Cleaning</b>		<b>Chimney Installed</b>		
Times Per Year	Inside Building	Does unit share a chimney flue?    Yes    No		
By Whom	Outside Building in Insulated Enclosure	Provide Details:		
Date of Last	Outside Building			

## 6. REMARKS

## 7. CLEARANCES

### IMPORTANT

The actual clearance is what you measure, whereas the required distance is that specified in the owner's manual or on the label attached to the heating unit. The measurements are in    Inches    or    Centimetres

Is there a thimble where the pipe passes through the wall?    Yes    No

Total length of all stove pipe (including elbows) \_\_\_\_\_

Number of elbows in stove pipe? \_\_\_\_\_

Construction of stove pipe

Double walled

Single walled (including black steel)

Galvanized

Other (specify) \_\_\_\_\_

Construction of sidewall \_\_\_\_\_

Backwall \_\_\_\_\_

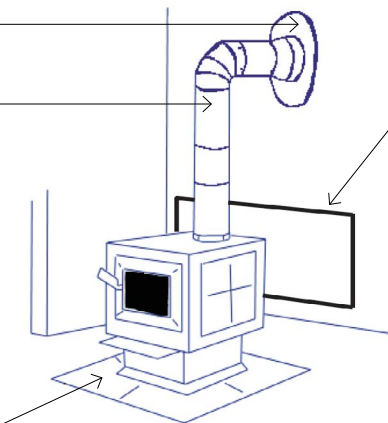
Ceiling \_\_\_\_\_

Does the stove pipe pass through a concealed space/wall?    Yes    No

Describe \_\_\_\_\_

Is there a non-combustible pad?    Yes    No

Shortest distance of unit to furniture, fuel or other combustible material \_\_\_\_\_



Type of shielding:

Sheet metal

Permanently installed?    Yes    No

Ceramic Tile

Brick

Concrete

Other \_\_\_\_\_

Are the wall spacers non-combustible?    Yes    No

Is there an air space at the top and bottom of shield?    Yes    No

\*See important message above

ACTUAL    REQUIRED

		ACTUAL	REQUIRED
Shield distance	wall to shield		
	top of stove to top of shield		
	heat shield to floor		
Shortest distance of stove to	bottom of stove to floor		
	backwall		
	sidewall		
	corner		
Shortest distance of stove pipe to	ceiling		
	backwall		
	sidewall		
Shortest distance from heating unit to edge of floor pad in	ceiling		
	front		
	left		
	right		
	back		

## 8. LOSS PREVENTION

Ashes disposed of in a metal container?	Yes	No	How far is the fuel stored from unit?	Feet	Metres	
Metal container stored	Inside	Outside	Smoke detector on the same floor as unit?			Yes No
Metal container equipped with a metal lid?	Yes	No	Fire extinguisher in the area of the unit?			Yes No
Ash container placed on a nonflammable surface?	Yes	No	Carbon monoxide detector in the building?			Yes No
Since the installation, including chimney, has unit been inspected by someone who is WETT certified?	Yes	No	If yes, provide WETT#			
Any modifications been made to the heating unit or chimney since installed or inspected?	Yes	No	Explain modification:			
Has there been a previous chimney fire?	Yes	No	Cause of fire:			

## 9. REMARKS

## 10. COMPLETED BY

Print Name \_\_\_\_\_ Signature \_\_\_\_\_ Date \_\_\_\_\_